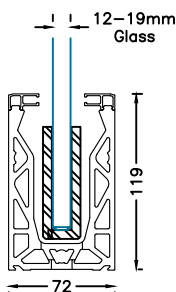


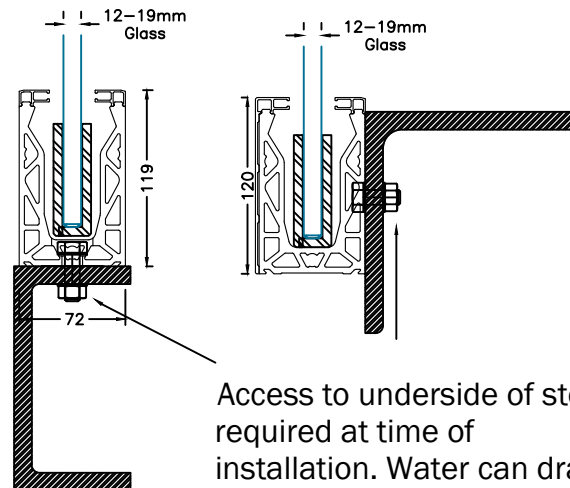
Optional Handrail



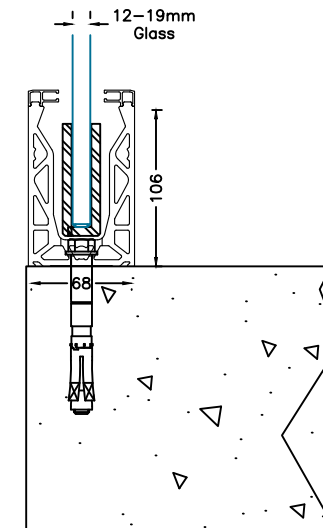
Channel



Standard Installation Details



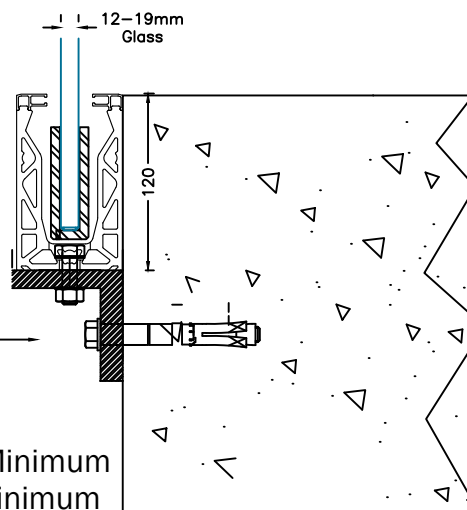
Access to underside of steel required at time of installation. Water can drain through fixings, provision to be allowed in design.



Customers responsibility to ensure systems comply with local building regulations

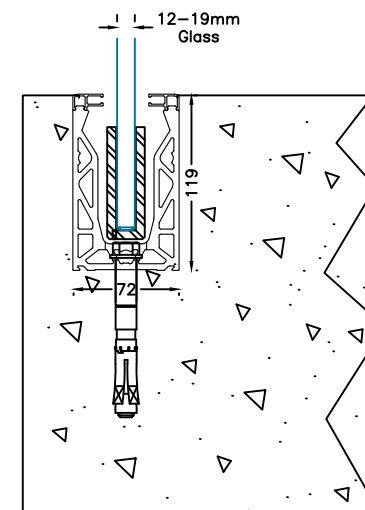
Concrete 4000 PSI Minimum
Steel 12mm Thick Minimum

Non Standard Installation Details



Access to underside of steel required at time of installation. Water can drain through fixings, provision to be allowed in design.

Concrete 4000 PSI Minimum
Steel 12mm Thick Minimum



IDS 12mm -19mm Balustrade Installation Examples

Drawn

Checked & approved

Signed

Drawn by

Steel and Concrete to be Specified by Qualified Structural Engineer

Please Note: Failure to sign & return drawings will delay manufacture

Date

Job No.

Issue

Dwg No.

A