



Technical Manual theVISION Windows



Standard colours	
Frame & Sills	RAL 7016 Anthracite Grey in matt finish
	DB703 Gun Metal Grey in textured finish
	RAL 9005 Jet Black in matt finish
Handles (All handles are made from 316 Grade stainless steel)	Satin Black
	Satin Brass
	Anthracite Grey
	Stainless steel
(Other colour matched available, price on application, minimum 10 handles)	

Maximum and Minimum Sash Sizes (mm) (See page 3 for full table)				
Opening Style	Min Width	Max Width	Min Height	Max Height
Side Hung	400	800	500	1600
Top Hung	400	1700	500	1500
Fixed	300	3000*	300	3000*
Angled Fixed	See drawing on page 12 for minimum upstands			
Tilt & Turn				

*Larger may be possible, please send enquiry to info@idsystems.co.uk

Thermal performance	
Glass thickness Options	Casement = 28mm, 32mm or 40mm Fixed Frames, Tilt & Turns = 28mm, 32mm and 45mm

Centre pane	Example of glass	Overall U-value
1.0 W/m ² k Double glazed	4mm clear toughened x 20mm Argon x 4mm clear toughened soft coat	from 1.4 W/m ² k
0.7 W/m ² k Double glazed	4mm clear toughened x 20mm Argon x 4mm clear toughened CUIV Ultra	from 1.2 W/m ² k
0.5 W/m ² k Triple glazed	4mm clear toughened x 16mm Argon x 4mm clear toughened x 16mm Argon x 4mm clear toughened soft coat	from 1.0 W/m ² k

Security Locking	Multipoint espagnolette locking system Double rebated outer frame Key locking handle
Accreditations	PAS 24:2022 certification Secure By Design™ BSI Kitemark (Requires P1a rated glass to adhere to Building Regulations Approved Document Q)

Weather performance	
Water tightness	2400 Pa (Class AE) - BS EN 12208
Air permeability	600 Pa (Class 4) - BS EN 12207
Wind resistance	2000 Pa (Class 5) - BS EN 12210

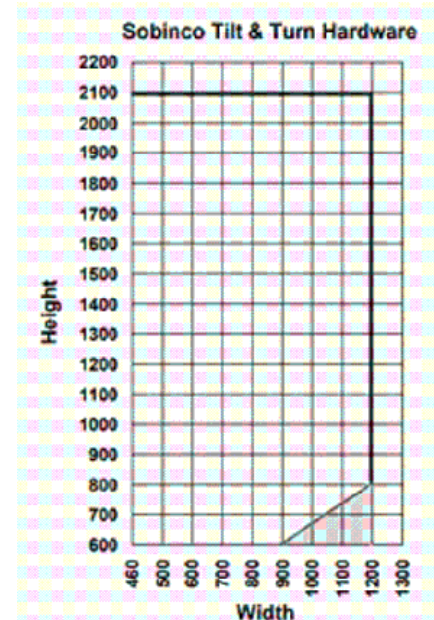
Trickle Vents	4000mm ² & 8000mm ² airflow
Sill Options (see page 10 for further details)	85mm x 25mm
	135mm x 25mm
	150mm x 25mm
	190mm x 25mm
	225mm x 25mm
	300mm x 31mm
Drainage	Casements have concealed drainage through the sill, a sill is always required. Fixed and Tilt & Turn frames are face drained.
Heritage Style (See page 14 for further details)	30mm Plant on bar.
Frameless Corner (see page 16 for further details)	Available on fixed frames, glass to glass detail for panoramic views.

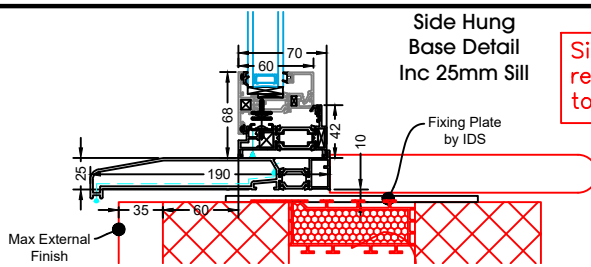
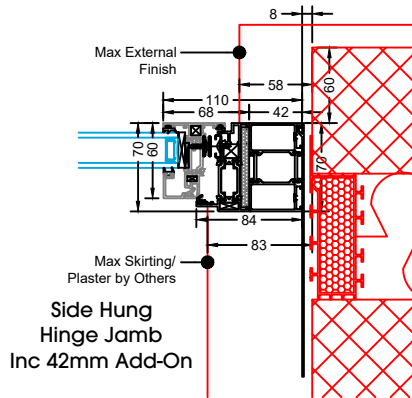
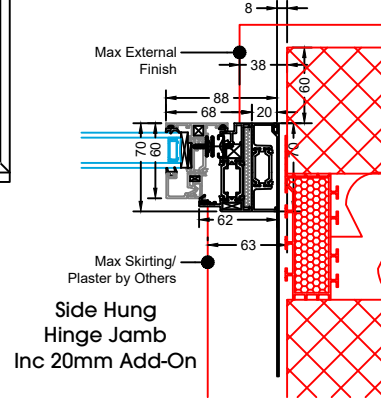
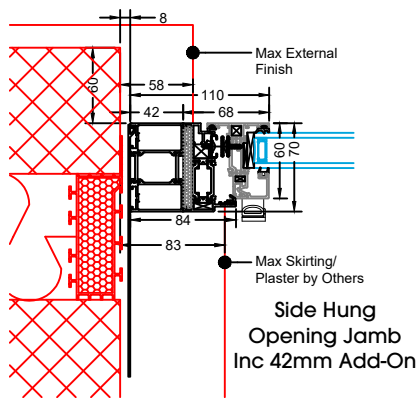
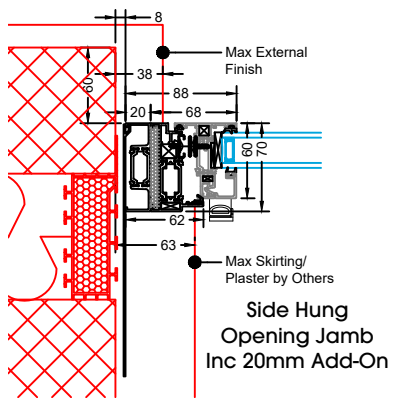
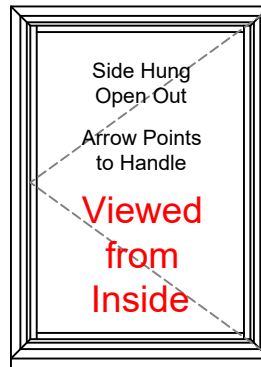
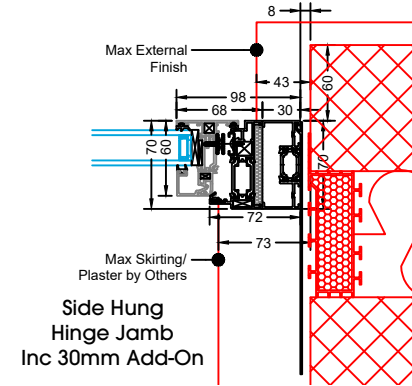
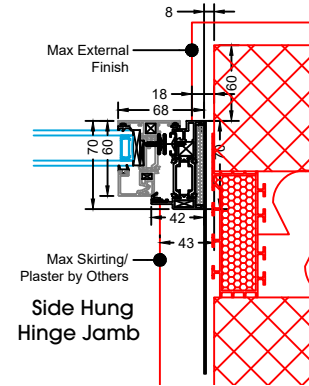
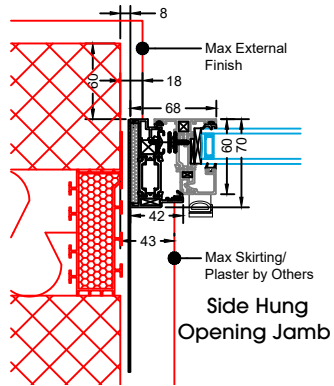
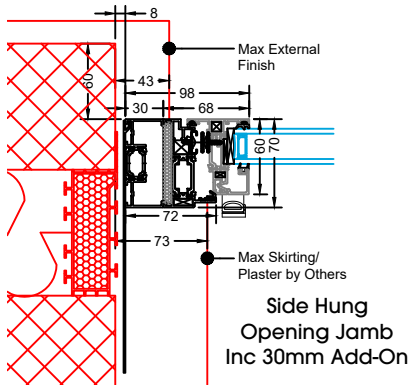
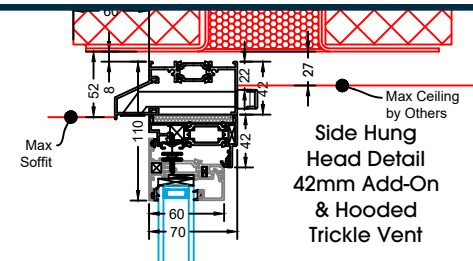
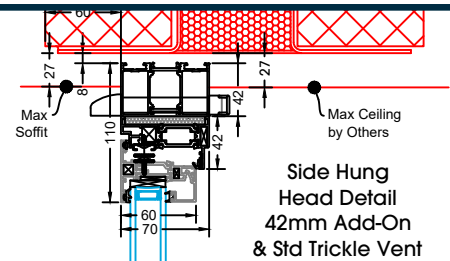
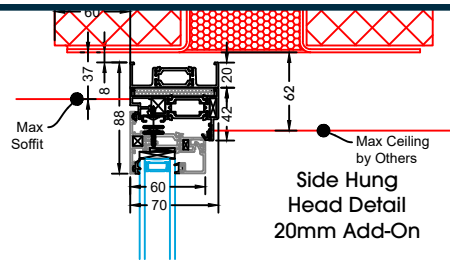
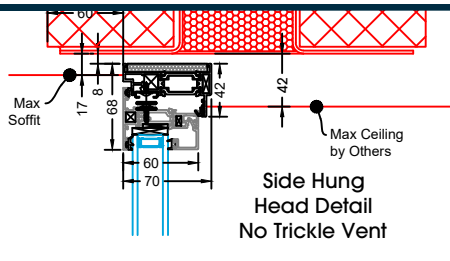
Standard or Restricted Hinge Side Hung									
Maximum & Minimum Sash Sizes (mm), with Maximum Glazing Weight (KG)									
Width Height	400	450	500	550	600	650	700	750	800
500	45	45	45	45	45	45	45	45	45
600	45	45	45	45	45	45	45	45	45
700	45	45	45	45	45	45	45	45	45
800	45	45	45	45	45	45	45	45	45
900	45	45	45	45	45	45	45	45	45
1000	45	45	45	45	45	45	45	45	45
1100	45	45	45	45	45	45	45	45	45
1200	45	45	45	45	45	45	45	45	45
1300	45	45	45	45	45	45	45	45	40
1400	45	45	45	45	45	45	40	40	40
1500	45	45	45	45	45	40	40	35	35
1600	45	45	45	45	45	40	40	30	30

Standard Or Restricted Hinge- Top Hung								
Maximum & Minimum Sash Sizes (mm), with Maximum Glazing Weight (KG)								
Width Height	422	600	800	1000	1200	1400	1600	1700
500	45	45	45	45	45	45	45	45
600	45	45	45	45	45	45	45	45
700	45	45	45	45	45	45	45	45
800	45	45	45	45	45	45	45	45
900	45	45	45	45	45	45	45	45
1000	45	45	45	45	45	40	45	40
1100	45	45	45	45	45	40	40	35
1200	45	45	45	45	45	35	40	35
1300	45	45	45	40	40	30	30	30
1400	45	45	45	40	40	30	30	NA
1500	45	45	45	35	35	30	30	NA
1600	45	45	45	30	30	NA	NA	NA

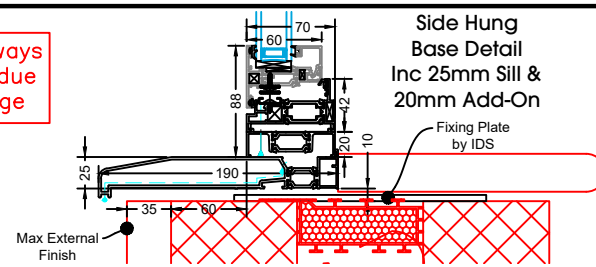
Egress Hinge Side Hung									
Minimum Manufacturing Width for 450mm Clear Opening = 595mm									
Minimum Mullion Centre Width for 450mm Clear Opening = 585mm									
Maximum & Minimum Sash Sizes (mm), with Maximum Glazing Weight (KG)									
Width Height	400	450	500	550	600	650	700	750	800
500	45	45	45	45	45	45	45	45	45
600	45	45	45	45	45	45	45	45	45
700	45	45	45	45	45	45	45	45	45
800	45	45	45	45	45	45	45	45	45
900	45	45	45	45	45	45	45	45	45
1000	45	45	45	45	45	40	45	40	40
1100	45	45	45	45	45	40	40	35	35
1200	45	45	45	45	45	35	40	35	35
1300	45	45	45	40	40	30	30	30	30
1400	45	45	45	40	40	30	30	25	25
1500	45	45	45	35	35	30	30	25	25
1600	45	45	45	30	30	25	25	20	20

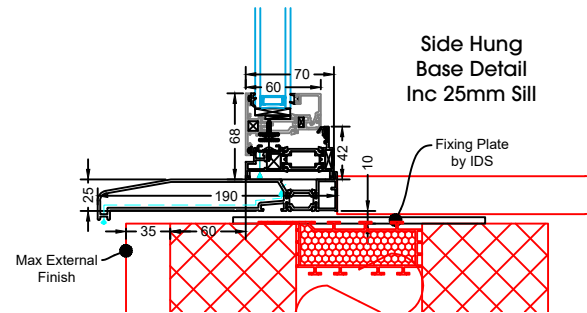
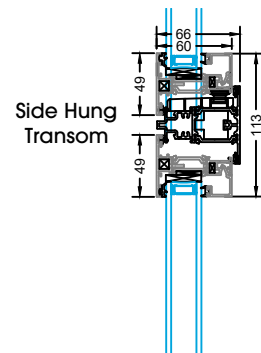
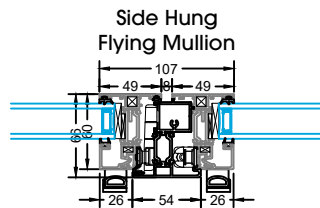
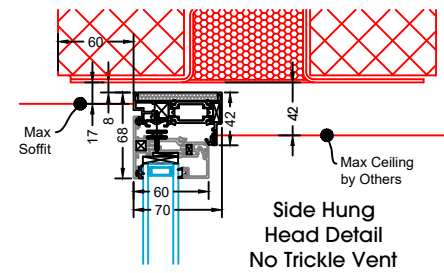
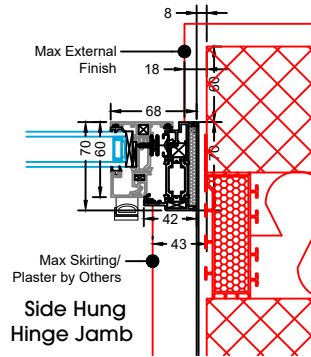
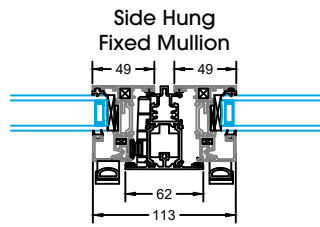
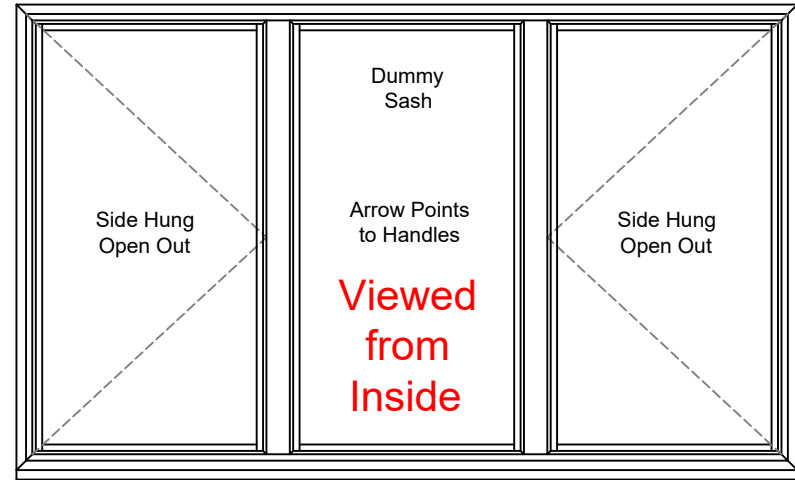
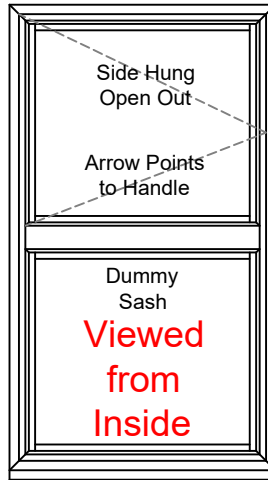
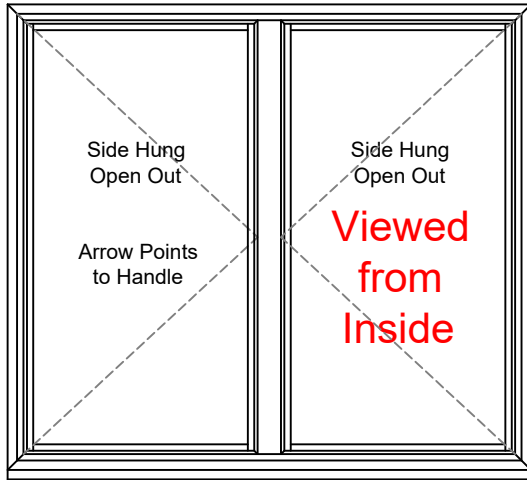
Tilt & Turn Minimum/Maximum Sash Sizes

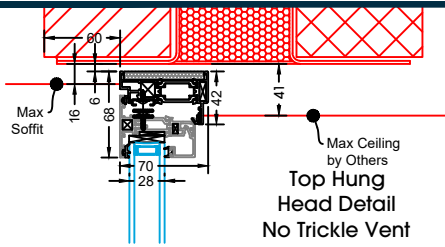




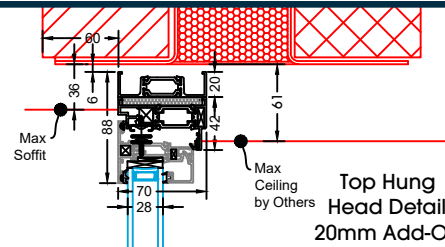
Sill is always required due to drainage



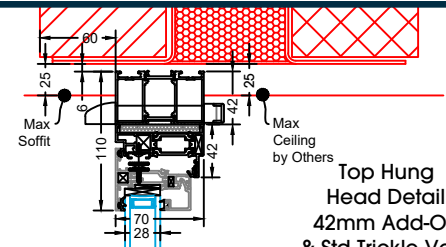




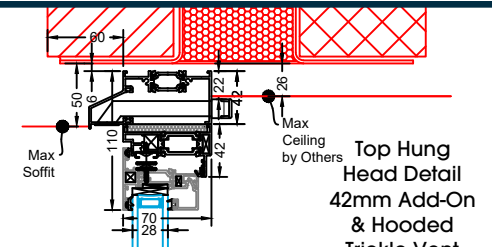
Top Hung
Head Detail
No Trickle Vent



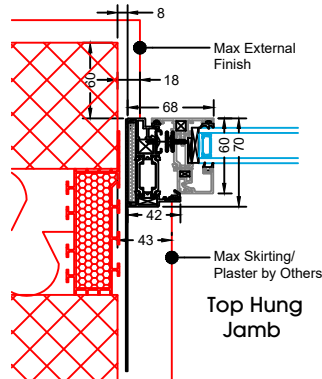
Top Hung
Head Detail
20mm Add-On



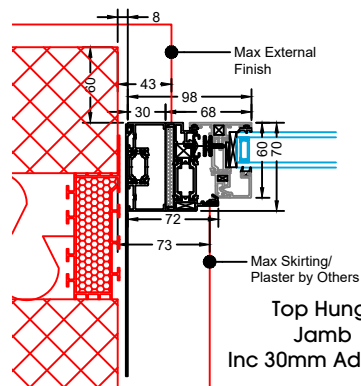
Top Hung
Head Detail
42mm Add-On
& Std Trickle Vent



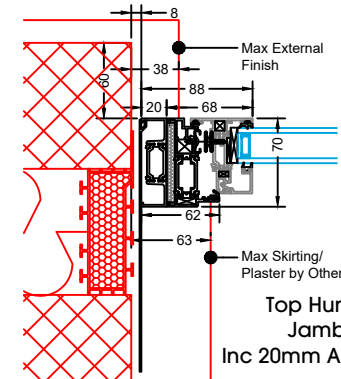
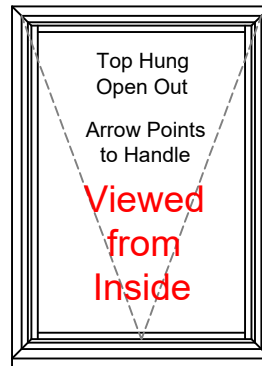
Top Hung
Head Detail
42mm Add-On
& Hooded
Trickle Vent



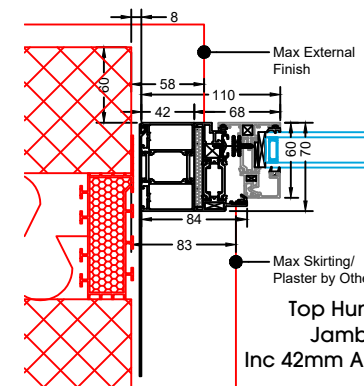
Top Hung
Jamb



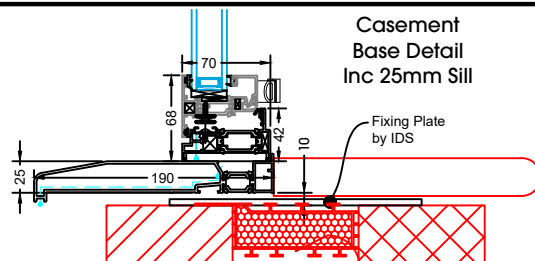
Top Hung
Jamb
Inc 30mm Add-On



Top Hung
Jamb
Inc 20mm Add-On

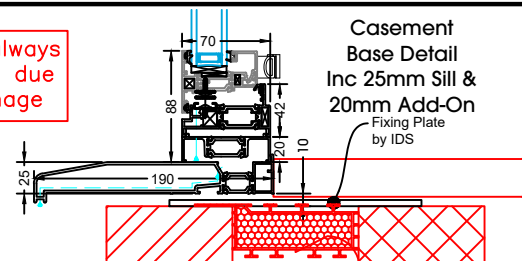


Top Hung
Jamb
Inc 42mm Add-On

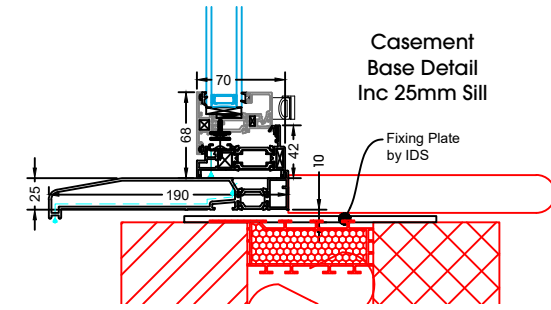
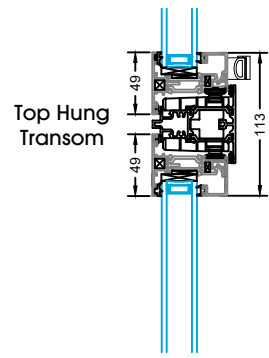
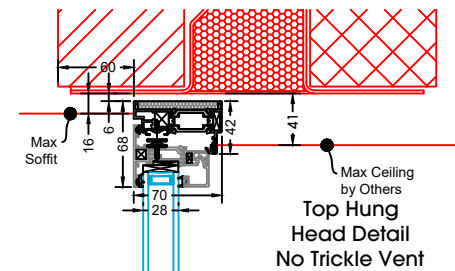
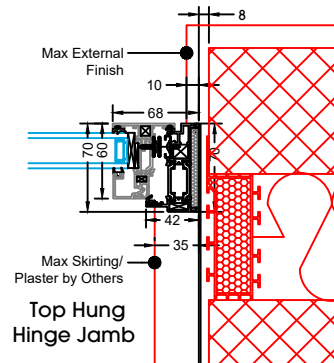
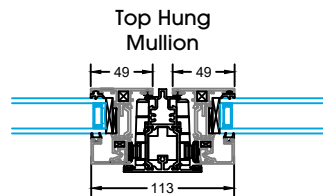
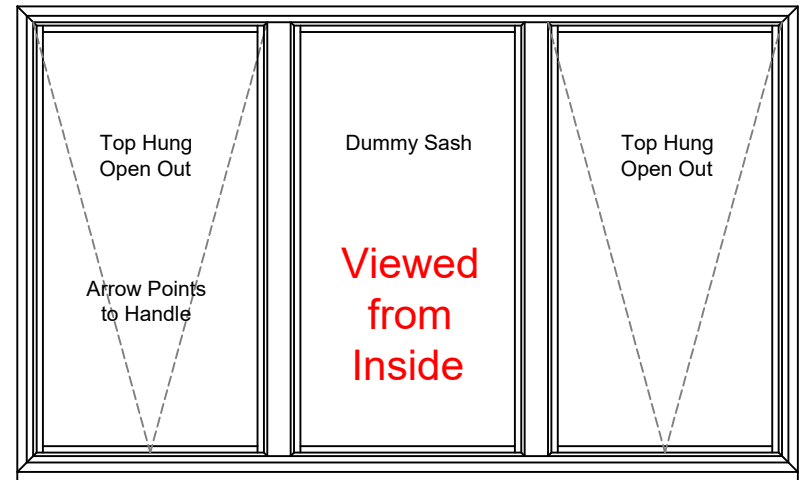
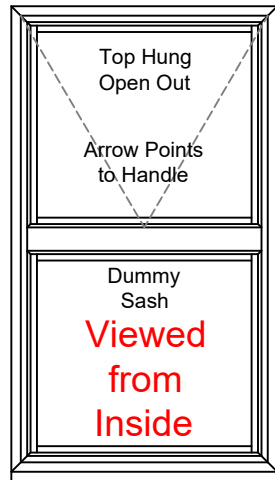
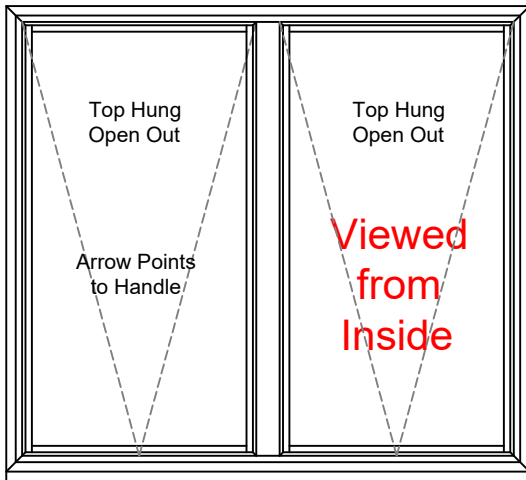


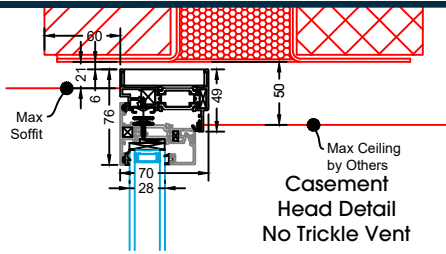
Casement
Base Detail
Inc 25mm Sill

Sill is always
required due
to drainage

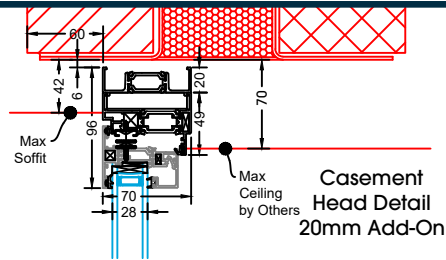


Casement
Base Detail
Inc 25mm Sill &
20mm Add-On

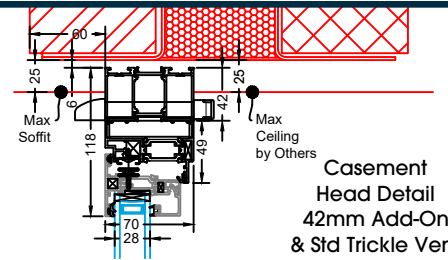




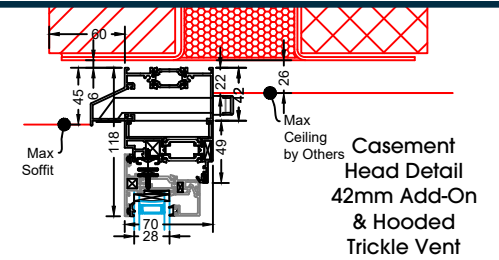
**Casement Head Detail
No Trickle Vent**



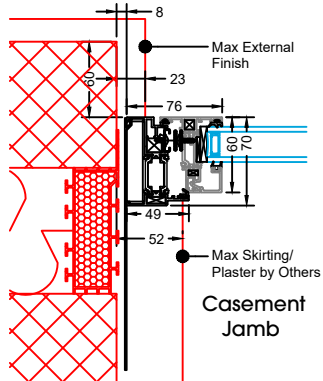
**Casement Head Detail
20mm Add-On**



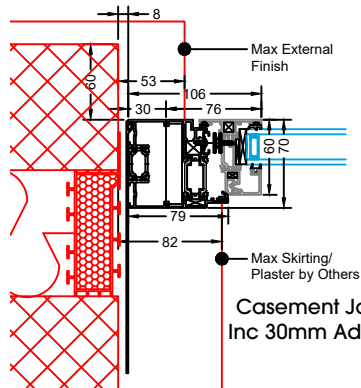
**Casement Head Detail
42mm Add-On
& Std Trickle Vent**



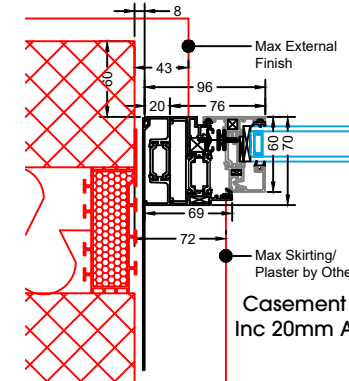
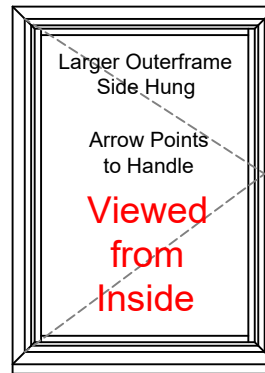
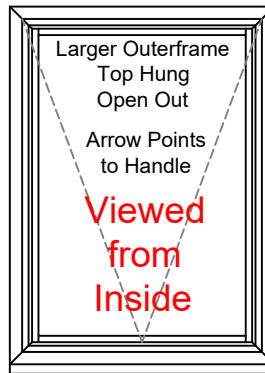
**Casement Head Detail
42mm Add-On
& Hooded Trickle Vent**



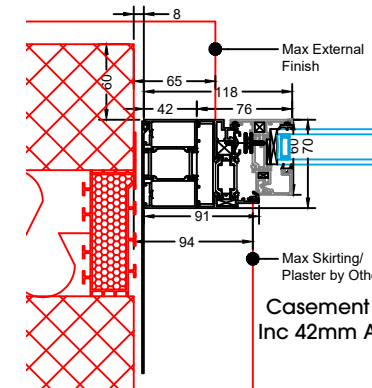
Casement Jamb



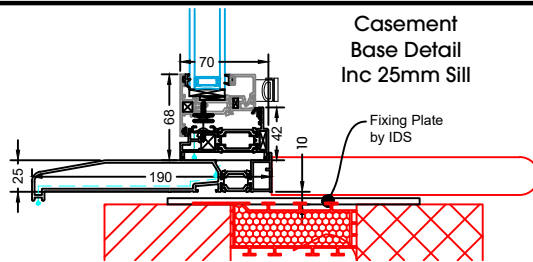
**Casement Jamb
Inc 30mm Add-On**



**Casement Jamb
Inc 20mm Add-On**

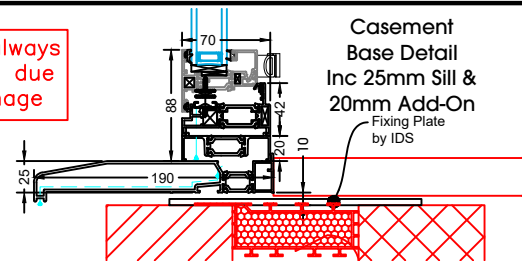


**Casement Jamb
Inc 42mm Add-On**

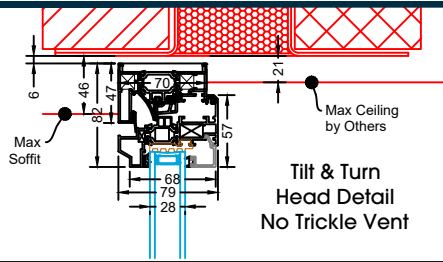


**Casement Base Detail
Inc 25mm Sill**

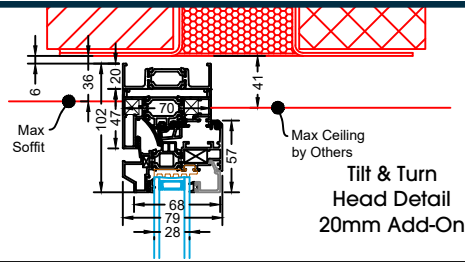
Sill is always required due to drainage



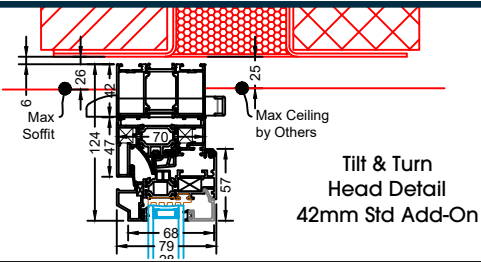
**Casement Base Detail
Inc 25mm Sill &
20mm Add-On**



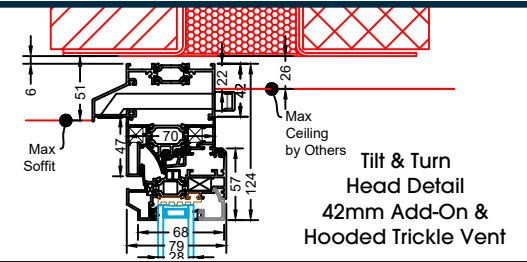
**Tilt & Turn
Head Detail
No Trickle Vent**



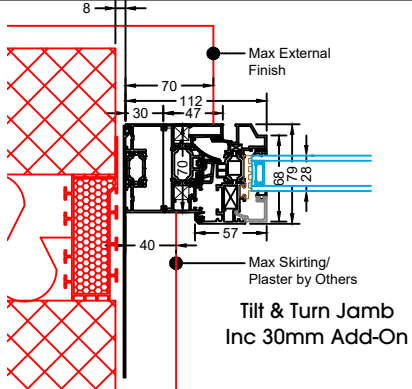
**Tilt & Turn
Head Detail
20mm Add-On**



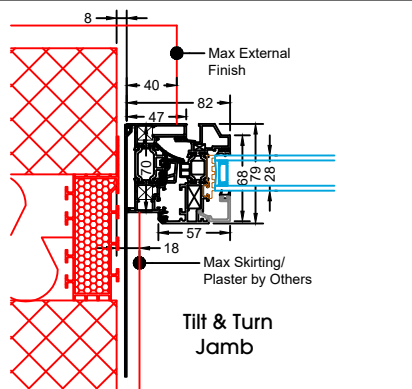
**Tilt & Turn
Head Detail
42mm Std Add-On**



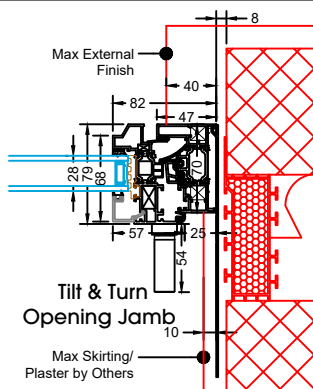
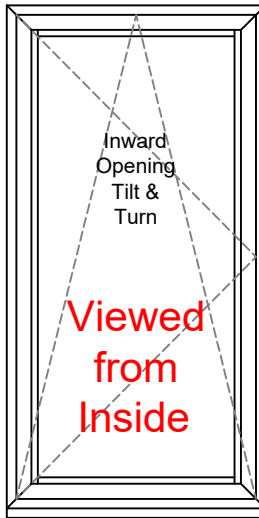
**Tilt & Turn
Head Detail
42mm Add-On &
Hooded Trickle Vent**



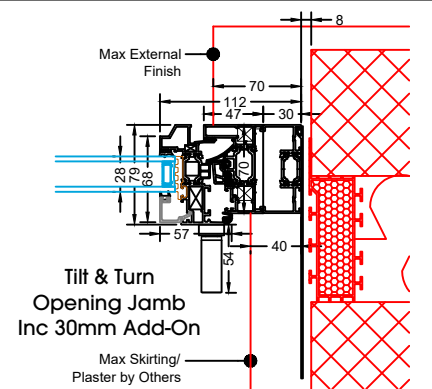
**Tilt & Turn Jamb
Inc 30mm Add-On**



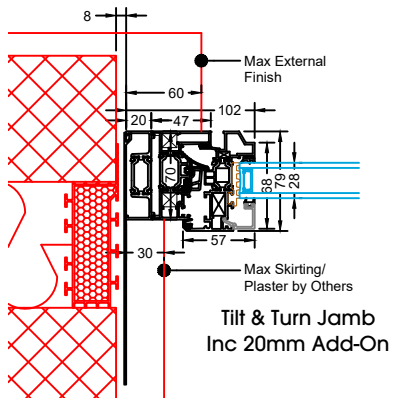
**Tilt & Turn
Jamb**



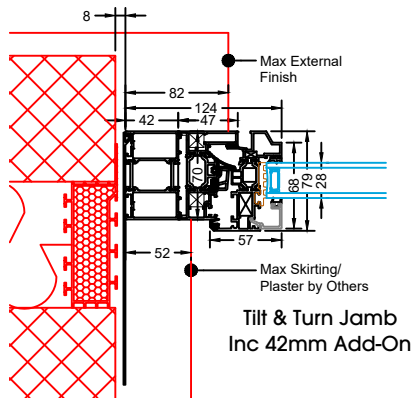
**Tilt & Turn
Opening Jamb**



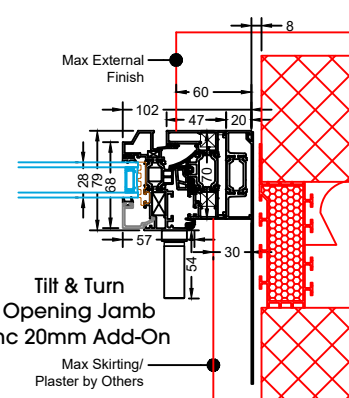
**Tilt & Turn
Opening Jamb
Inc 30mm Add-On**



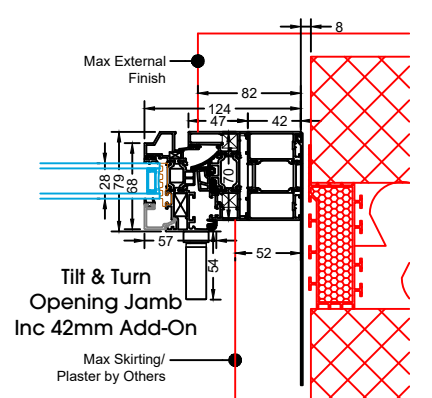
**Tilt & Turn Jamb
Inc 20mm Add-On**



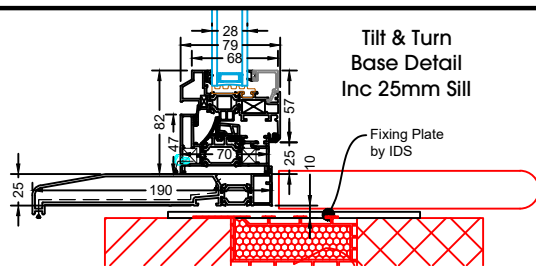
**Tilt & Turn Jamb
Inc 42mm Add-On**



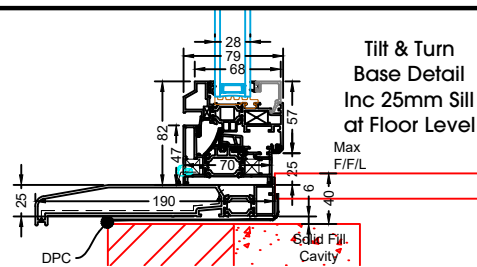
**Tilt & Turn
Opening Jamb
Inc 20mm Add-On**



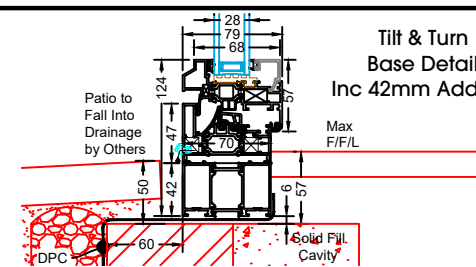
**Tilt & Turn
Opening Jamb
Inc 42mm Add-On**



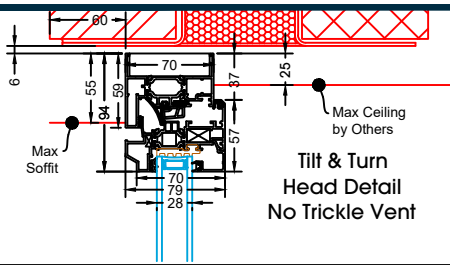
**Tilt & Turn
Base Detail
Inc 25mm Sill**



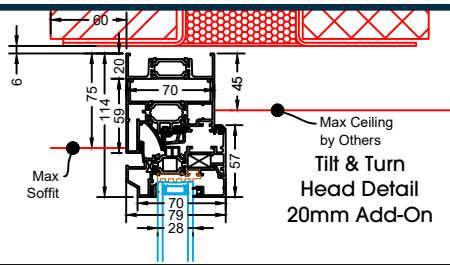
**Tilt & Turn
Base Detail
Inc 25mm Sill
at Floor Level**



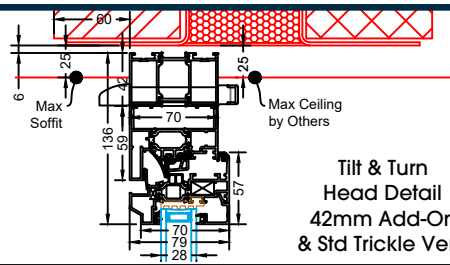
**Tilt & Turn
Base Detail
Inc 42mm Add-On**



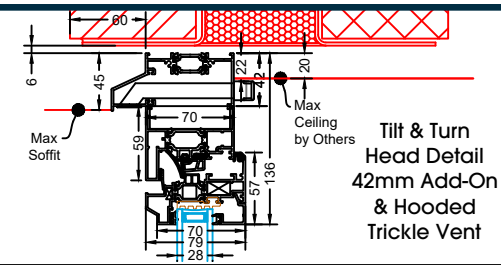
**Tilt & Turn
Head Detail
No Trickle Vent**



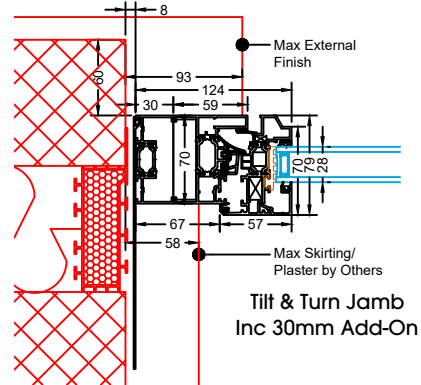
**Tilt & Turn
Head Detail
20mm Add-On**



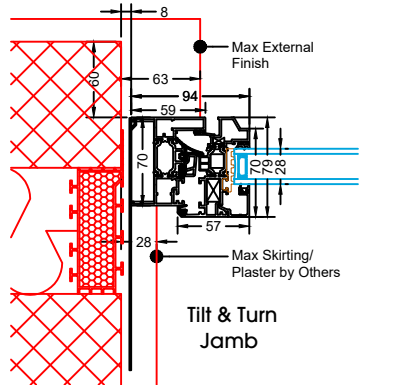
**Tilt & Turn
Head Detail
42mm Add-On
& Std Trickle Vent**



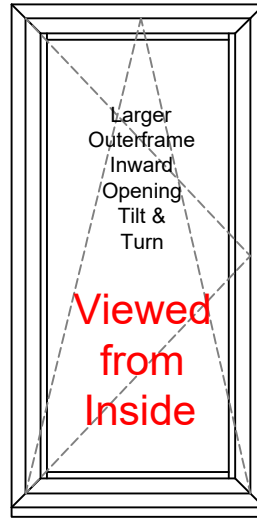
**Tilt & Turn
Head Detail
42mm Add-On
& Hooded
Trickle Vent**



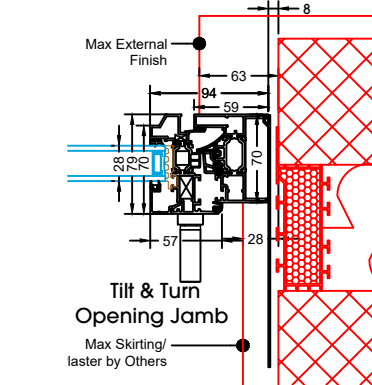
**Tilt & Turn Jamb
Inc 30mm Add-On**



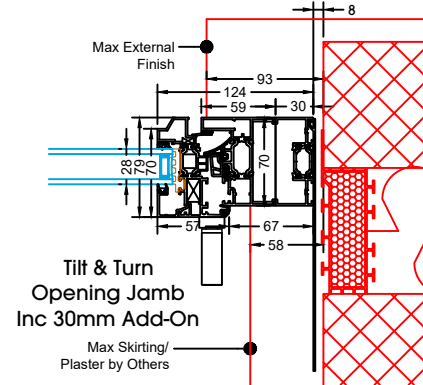
**Tilt & Turn
Jamb**



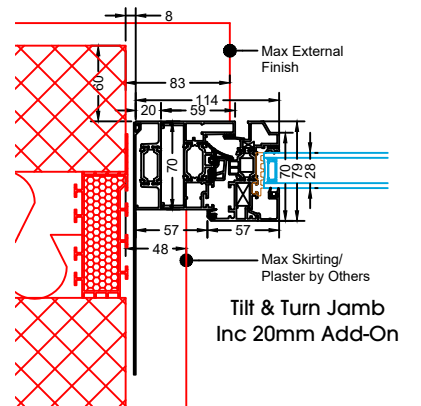
**Viewed
from
Inside**



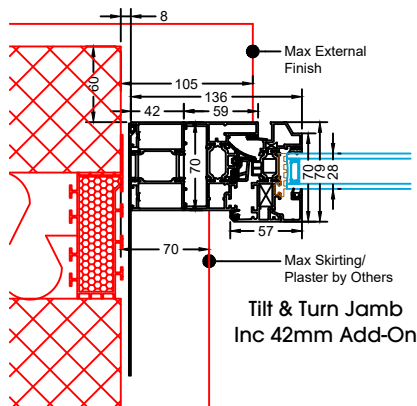
**Tilt & Turn
Opening Jamb
Inc 30mm Add-On**



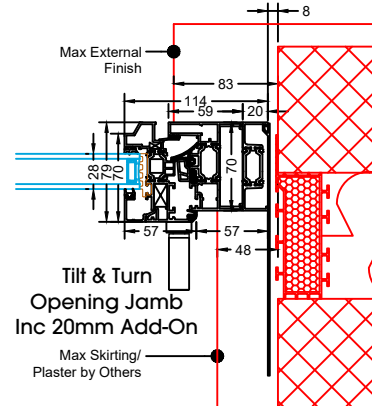
**Tilt & Turn
Opening Jamb
Inc 42mm Add-On**



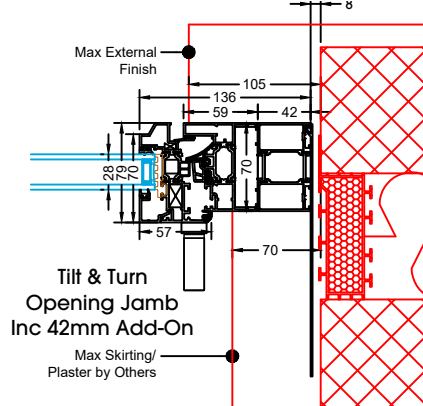
**Tilt & Turn Jamb
Inc 20mm Add-On**



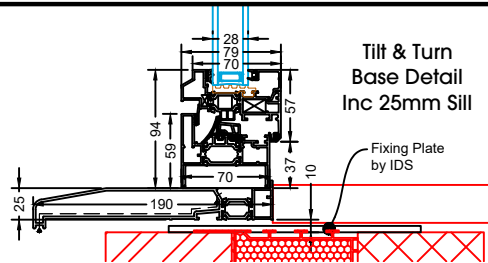
**Tilt & Turn Jamb
Inc 42mm Add-On**



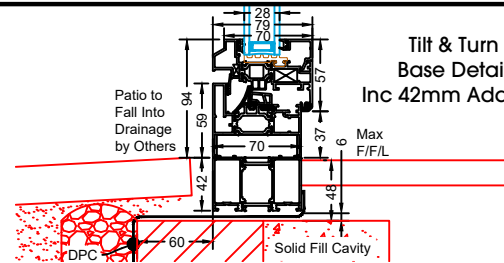
**Tilt & Turn
Opening Jamb
Inc 20mm Add-On**



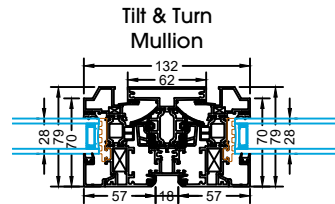
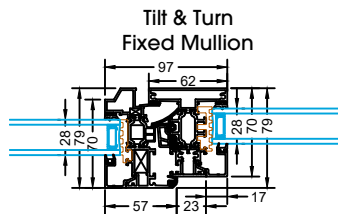
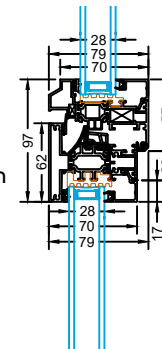
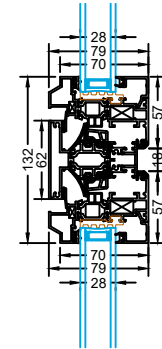
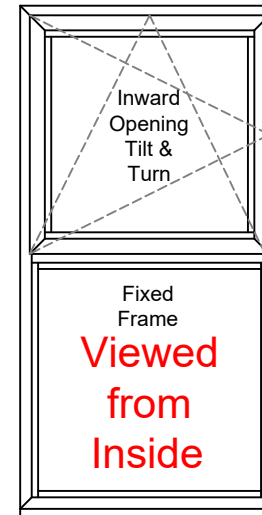
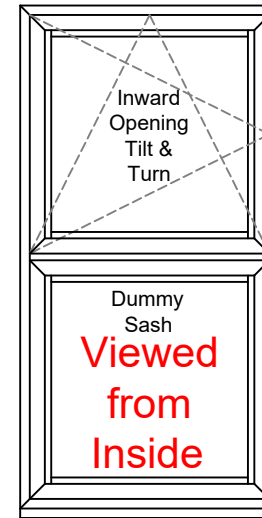
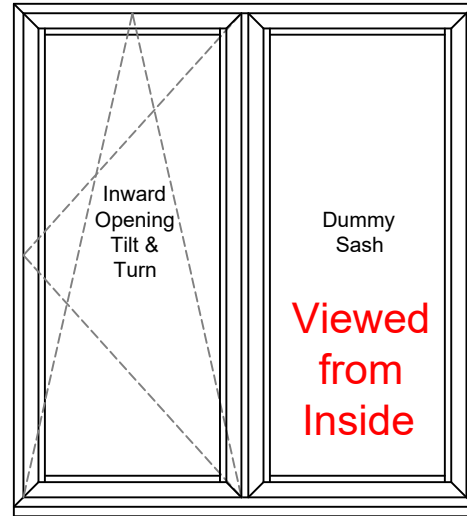
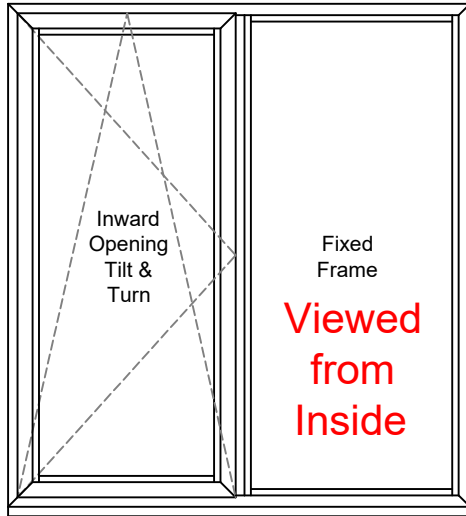
**Tilt & Turn
Opening Jamb
Inc 42mm Add-On**

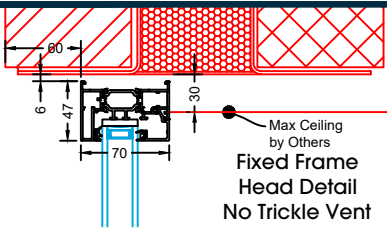


**Tilt & Turn
Base Detail
Inc 25mm Sill**

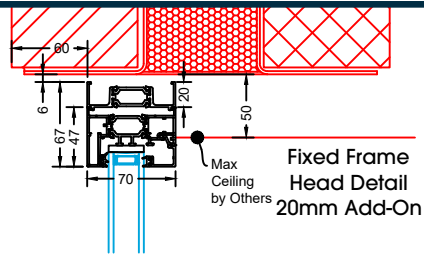


**Tilt & Turn
Base Detail
Inc 42mm Add-On**

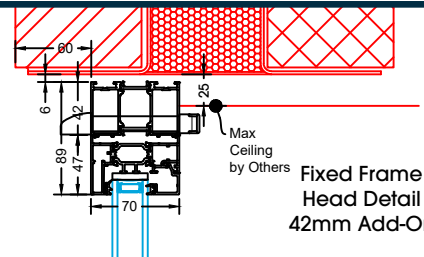




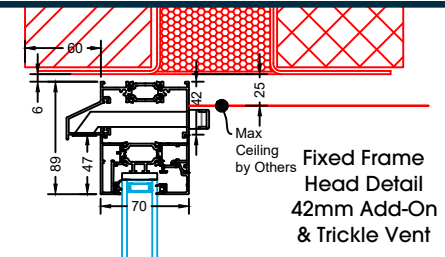
Fixed Frame Head Detail
No Trickle Vent



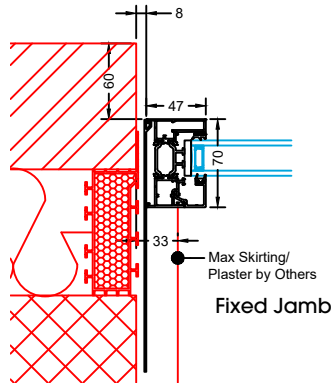
Fixed Frame Head Detail
20mm Add-On



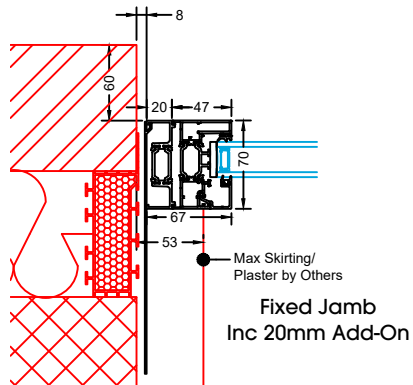
Fixed Frame Head Detail
42mm Add-On



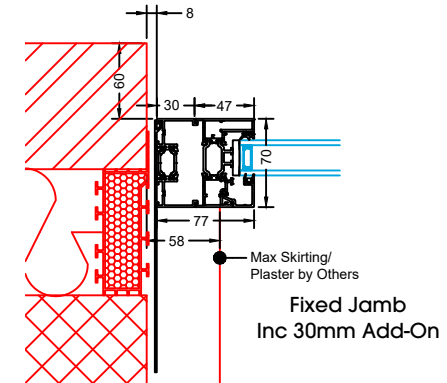
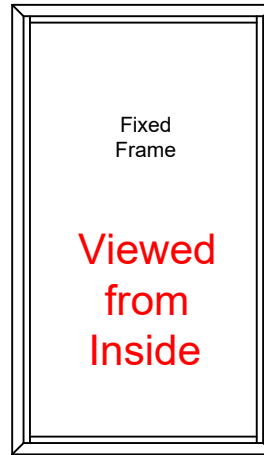
Fixed Frame Head Detail
42mm Add-On & Trickle Vent



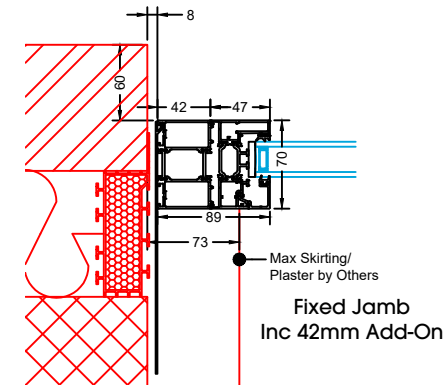
Fixed Jamb



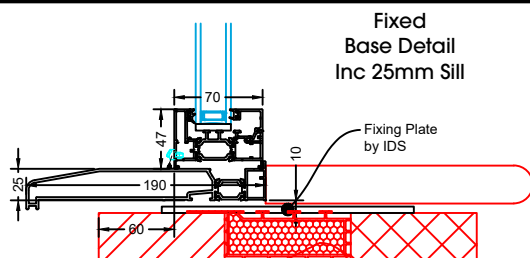
Fixed Jamb
Inc 20mm Add-On



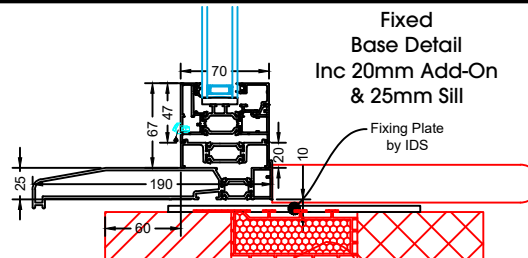
Fixed Jamb
Inc 30mm Add-On



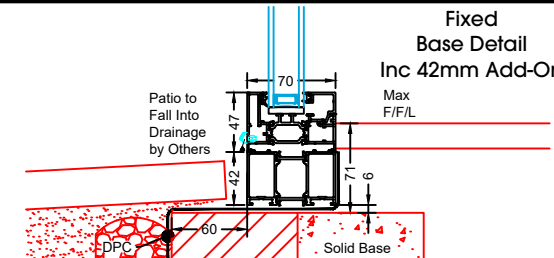
Fixed Jamb
Inc 42mm Add-On



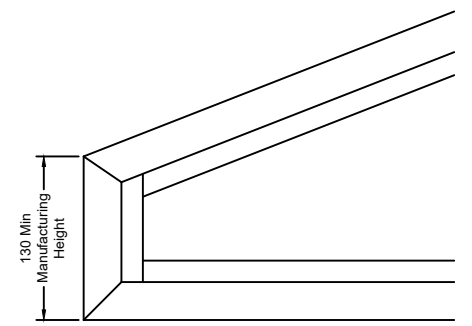
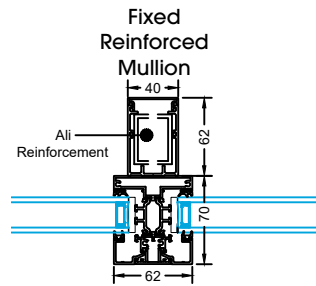
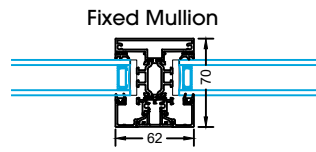
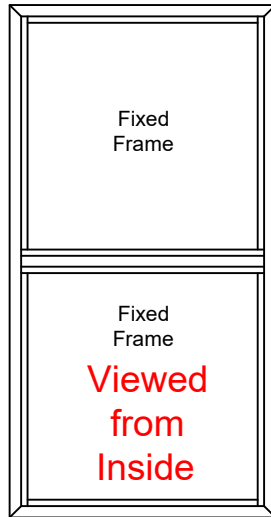
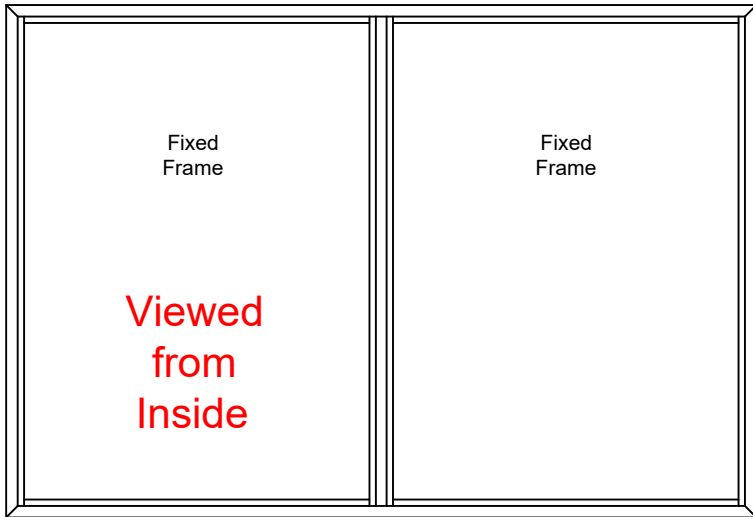
Fixed Base Detail
Inc 25mm Sill



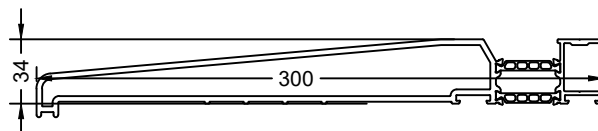
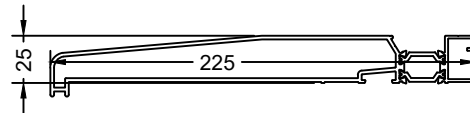
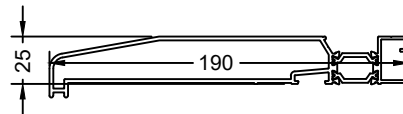
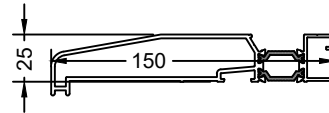
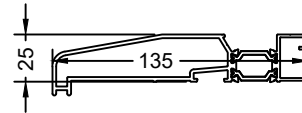
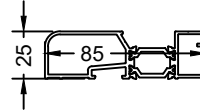
Fixed Base Detail
Inc 20mm Add-On & 25mm Sill

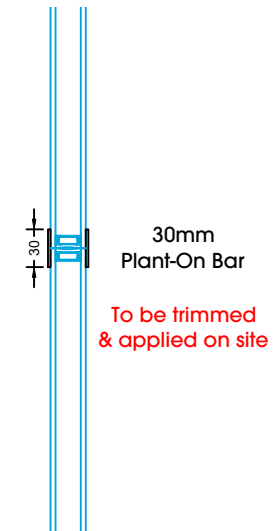
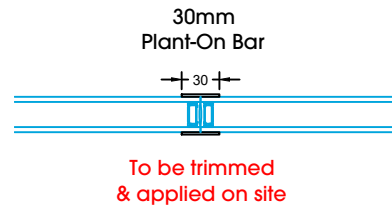
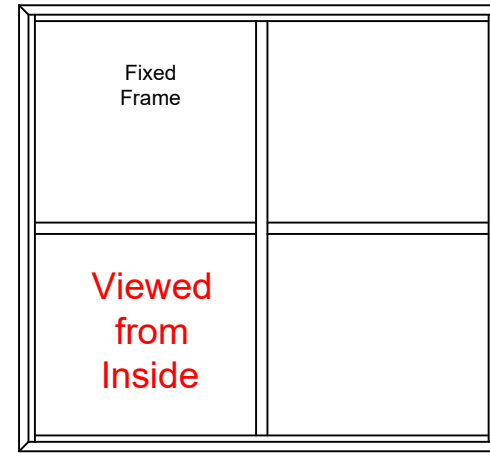
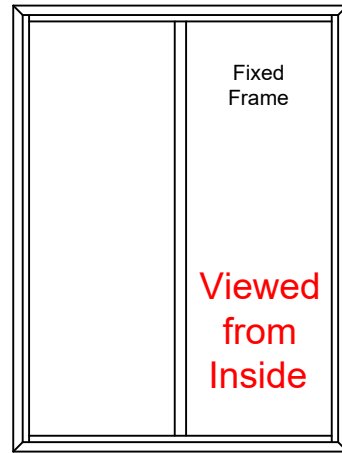


Fixed Base Detail
Inc 42mm Add-On

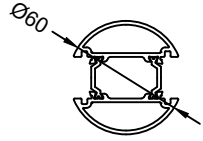


theVISION Sill Options

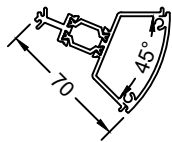




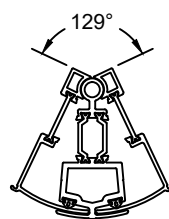
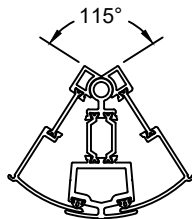
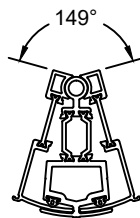
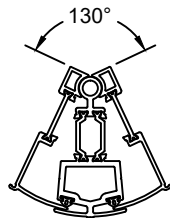
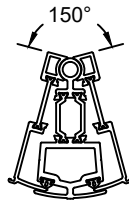
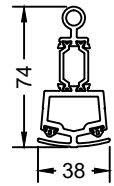
60mm
Bay Pole



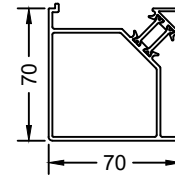
135°
Bay Pole



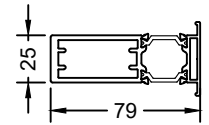
Bay Pole



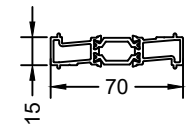
90°
Corner Post

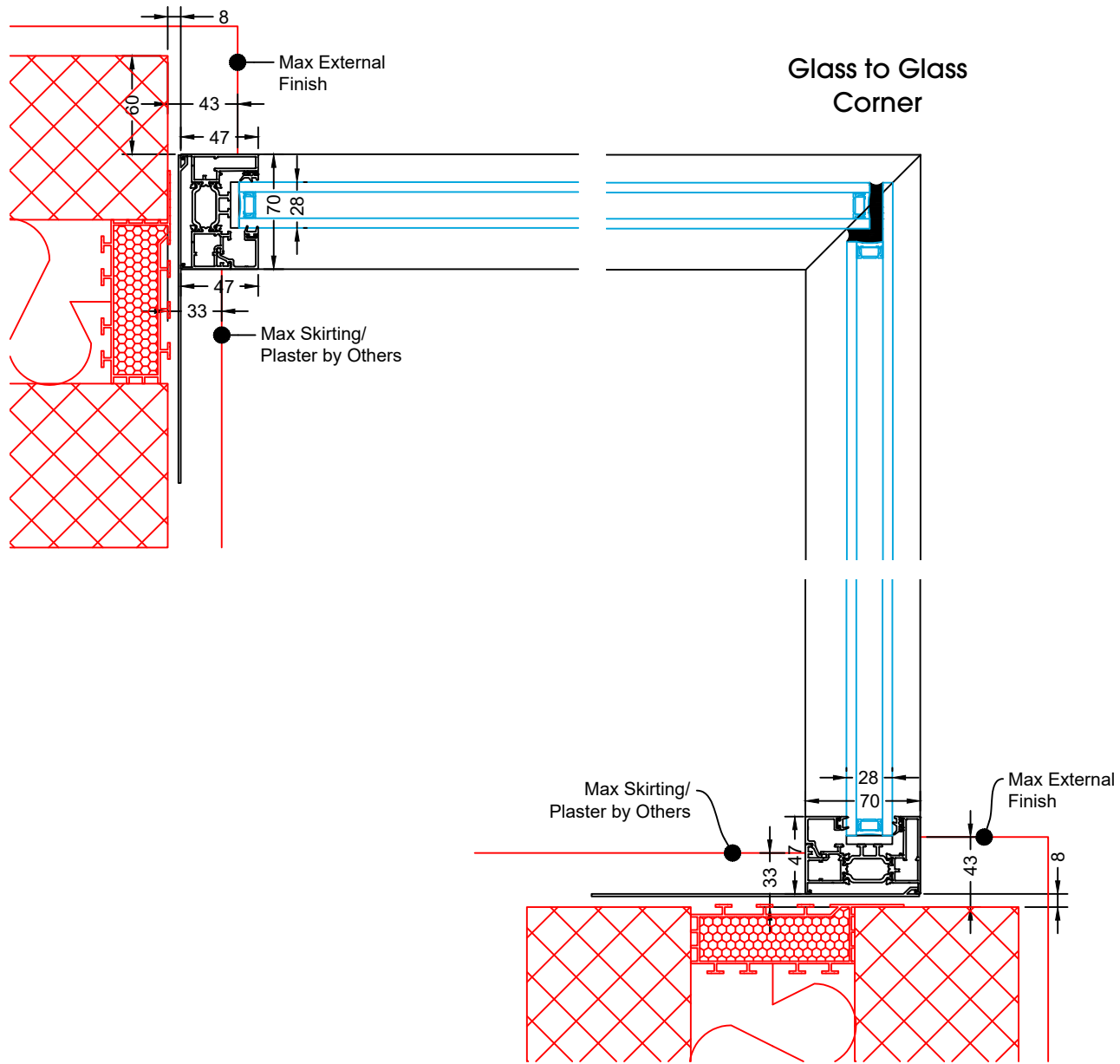


25mm
Coupler

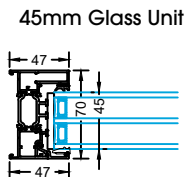
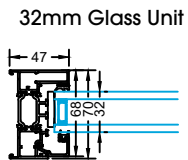
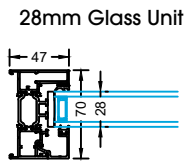


15mm
Horizontal
Coupler

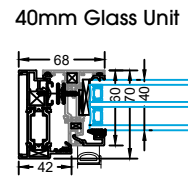
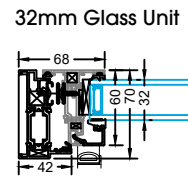
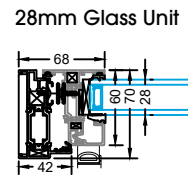




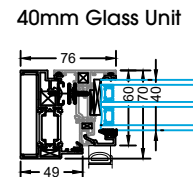
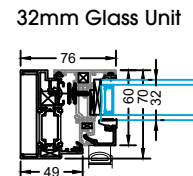
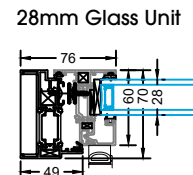
Fixed
Glazing Unit
Options



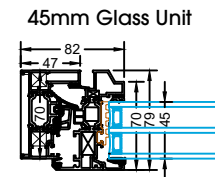
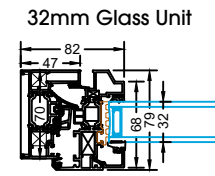
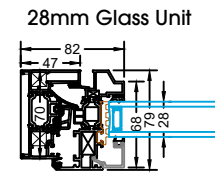
Casement
Glazing Unit
Options



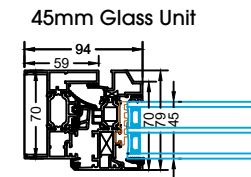
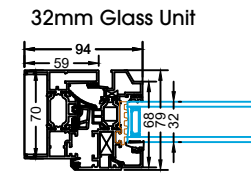
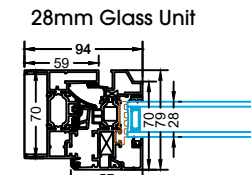
Larger Outerframe
Casement
Glazing Unit
Options



Tilt & Turn
Glazing Unit
Options



Larger Outerframe
Tilt & Turn
Glazing Unit
Options





sliding doors



bifold doors



slide & turn doors



heritage doors



aluminium windows



glass roofs



internal glazing



front doors

t 01603 408804 e info@idsystems.co.uk
B2 Rhombus Park Diamond Road Norwich NR6 6NN

www.idsystems.co.uk/technical-manuals


IDSystems
innovative glazing